

STOPER
A D V A N C E D
CARTRIDGE SYSTEMS

PRODUCT CATALOG





CARTRIDGE SYSTEMS

STOPER
A D V A N C E D
CARTRIDGE SYSTEMS

KARTUŞLAR / CARTRIDGES

SC 280

STOPER
A D V A N C E D
CARTRIDGE SYSTEMS

TEKNİK ÖZELLİKLER

Technical Specifications

MALZEME / Material: HDPE

AĞIRLIK / Weight : 44 gr

PAKETLEME MİKTARI : 140 adet/koli

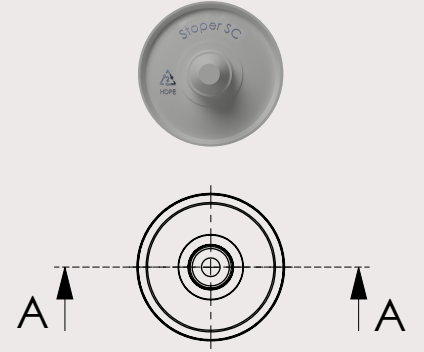
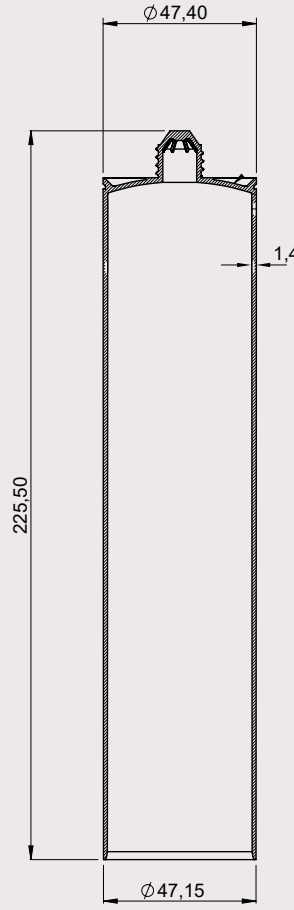
Packaging Unit : 140 piece/box

UYUMLU AKSESUARLAR

Can Be Combined With

280 ml SP28 **Stoper** piston,
SN 01 Stoper uç,
SN 02 Stoper kulplu uç

280 ml SP28 **Stoper** plunger,
SN 01 Stoper nozzle,
SN 02 Stoper clip nozzle



KARTUŞLAR / CARTRIDGES

SC 310

TEKNİK ÖZELLİKLER

Technical Specifications

MALZEME / Material: HDPE

AĞIRLIK / Weight : 46 gr

PAKETLEME MİKTARI : 140 adet/koli

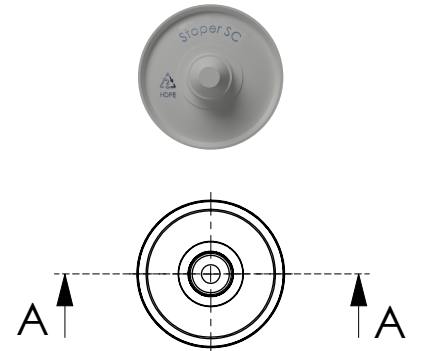
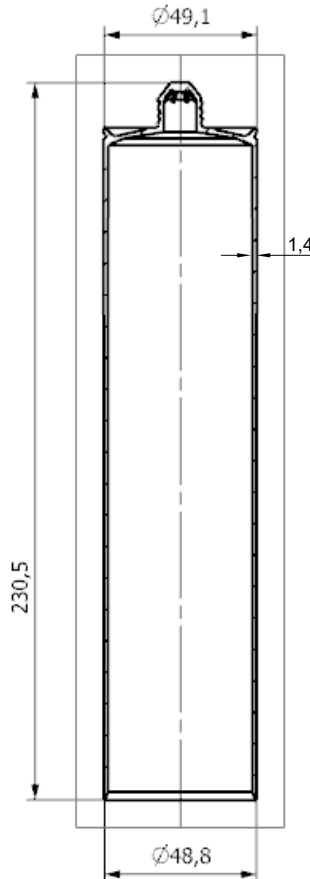
Packaging Unit : 140 piece/box

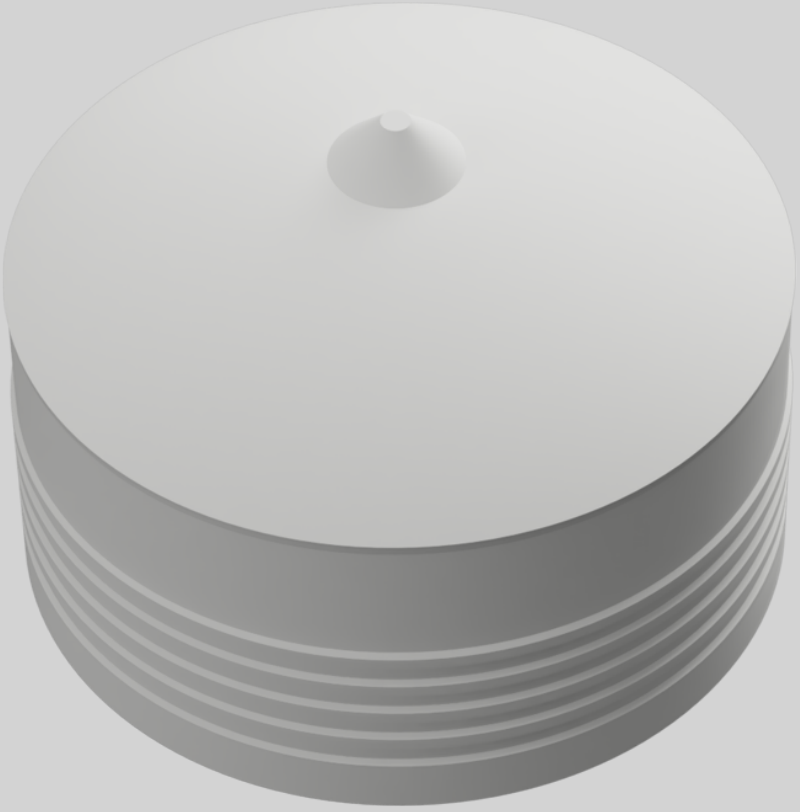
UYUMLU AKSESUARLAR

Can Be Combined With

310 ml SP31 **Stoper** piston,
SN 01 Stoper standart uç ve
SN 02 Stoper kulplu uç

310 ml SP31 **Stoper** plunger,
SN 01 Stoper standard nozzle
and SN 02 Stoper clip nozzle



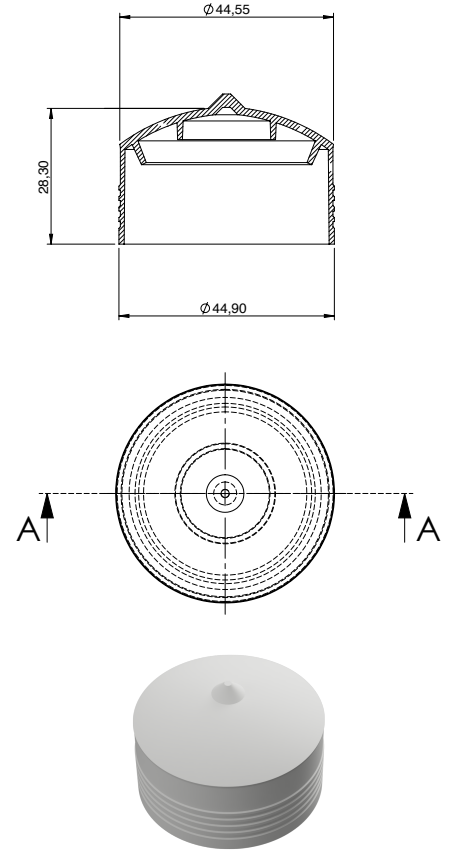


PLUNGERS

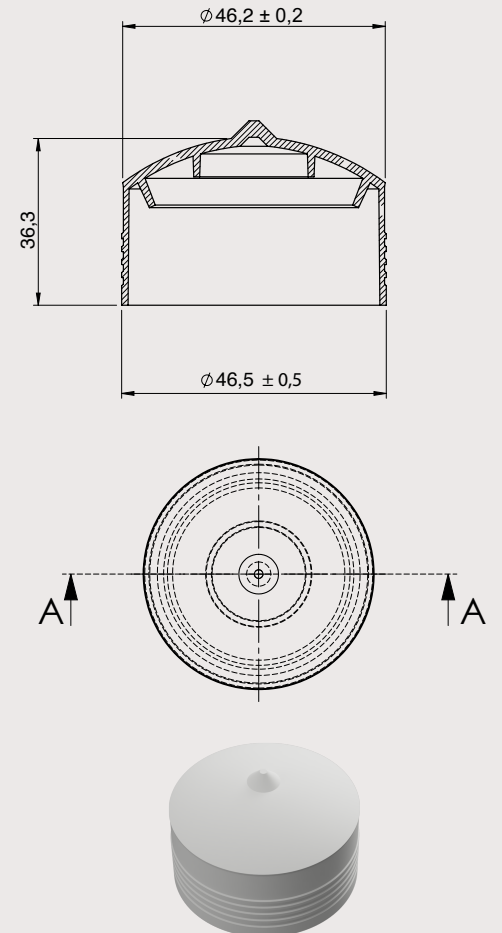
STOPER
A D V A N C E D
CARTRIDGE SYSTEMS

PİSTONLAR / PLUNGERS**SP 28****UYUMLU KARTUŞLAR / Can Be Combined With**

280 ml SC280 **Stoper** kartuş
280 ml SC280 **Stoper** cartridges

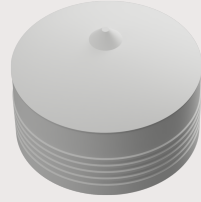
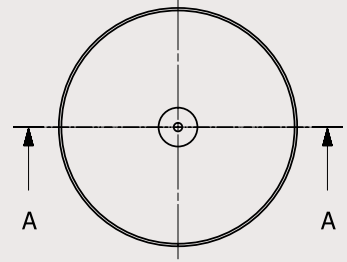
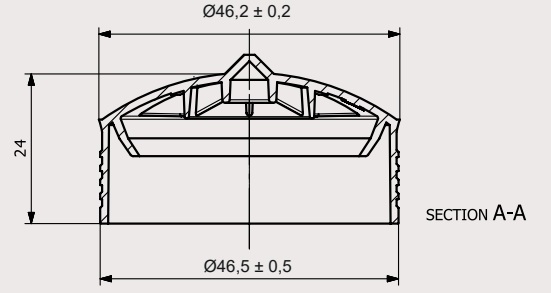
TEKNİK ÖZELLİKLER / Technical Specifications**MALZEME / Material:** HDPE**AĞIRLIK / Weight:** 6,9 gr**PAKETLEME MİKTARI :** 1400 adet/koli**Packaging Unit :** 1400 piece/box**PİSTONLAR / PLUNGERS****SP 31****UYUMLU KARTUŞLAR / Can Be Combined With**

310 ml SC310 **Stoper** kartuş
310 ml SC310 **Stoper** cartridges

TEKNİK ÖZELLİKLER / Technical Specifications**MALZEME / Material:** HDPE**AĞIRLIK / Weight :** 7 gr**PAKETLEME MİKTARI :** 1400 adet/koli**Packaging Unit :** 1100 piece/box

PİSTONLAR / PLUNGERS**SP 31.002(S)****UYUMLU KARTUŞLAR / Can Be Combined With**

310 ml SC310 **Stoper** kartuş
310 ml SC310 **Stoper** cartridges

TEKNİK ÖZELLİKLER / Technical Specifications**MALZEME / Material:** HDPE**AĞIRLIK / Weight :** 5,8 gr**PAKETLEME MİKTARI :** 1800 adet/koli**Packaging Unit :** 1800 piece/box

SETZON NOZZLES

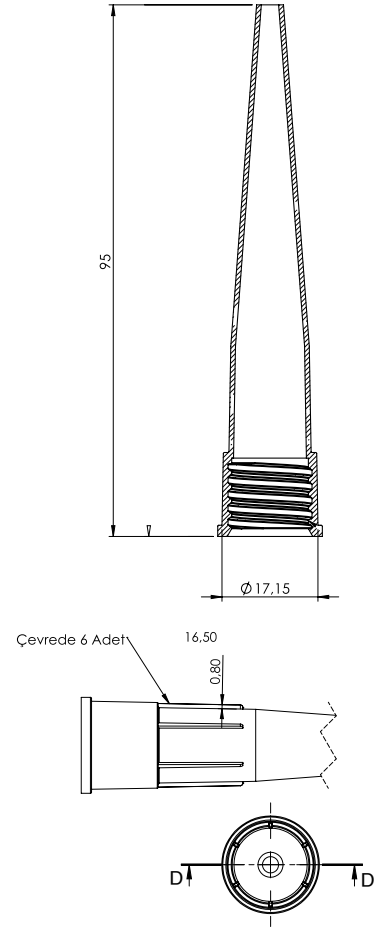


STOPER
A D V A N C E D
CARTRIDGE SYSTEMS

UCLAR / NOZZLES**SN 01****UYUMLU KARTUŞLAR / Can Be Combined With**

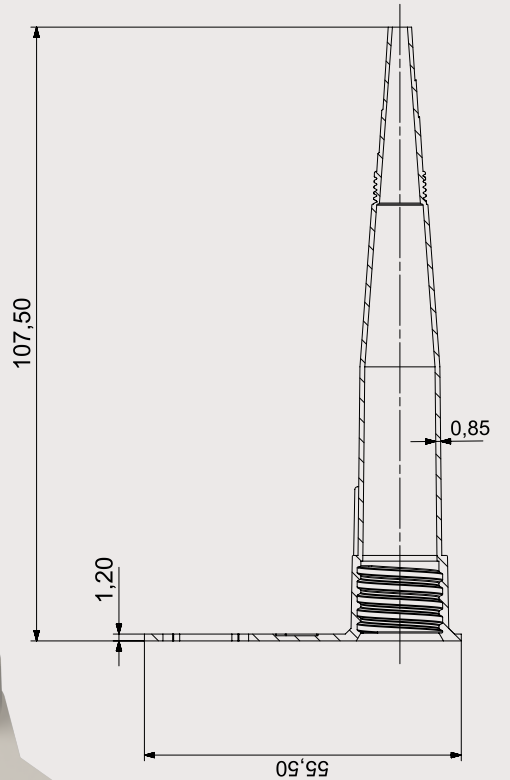
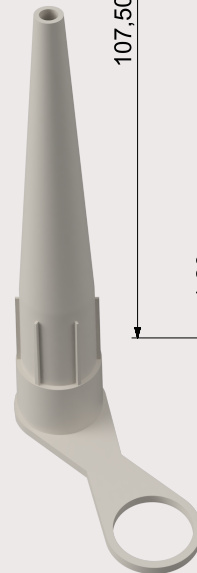
280 ml SC280 **Stoper** kartuş
280 ml SC280 **Stoper** cartridges

310 ml SC310 **Stoper** kartuş
310 ml SC310 **Stoper** cartridges

TEKNİK ÖZELLİKLER / Technical Specifications**MALZEME / Material:** HDPE**AĞIRLIK / Weight:** 2,8gr**PAKETLEME MİKTARI:** 3400 adet/koli**Packaging Unit:** 3400 unit/box**KULPLU UÇ / CLIP NOZZLE****SN 02****UYUMLU KARTUŞLAR / Can Be Combined With**

310 ml SC310 **Stoper** kartuş
310 ml SC310 **Stoper** cartridges

280 ml SC280 **Stoper** kartuş
280 ml SC280 **Stoper** cartridges

TEKNİK ÖZELLİKLER / Technical Specifications**MALZEME / Material:** HDPE**AĞIRLIK / Weight :** 3,2gr**PAKETLEME MİKTARI :** 1800 adet/koli**Packaging Unit :** 1800 unit/box

KULPLU UÇ / CLIP NOZZLE
SN 03 MTL**UYUMLU KARTUŞLAR / Can Be Combined With**

Sık dişli standart metal kartuş
Tight screw standard metal cartridges

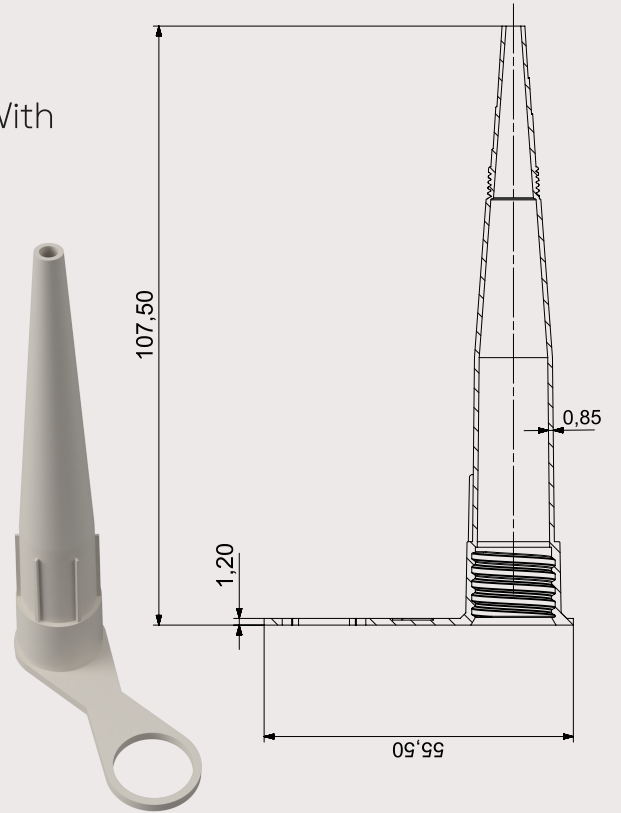
TEKNİK ÖZELLİKLER / Technical Specifications

MALZEME / Material: HDPE

AĞIRLIK / Weight : 3,2gr

PAKETLEME MİKTARI : 1800 adet/koli

Packaging Unit : 1800 unit/box

**KAPAKLI KULPLU UÇ / CLIP NOZZLE WITH CAP**
SN 04**UYUMLU KARTUŞLAR / Can Be Combined With**

280 ml SC280 **Stoper** kartuş
280 ml SC280 **Stoper** cartridges

310 ml SC310 **Stoper** kartuş
310 ml SC310 **Stoper** cartridges

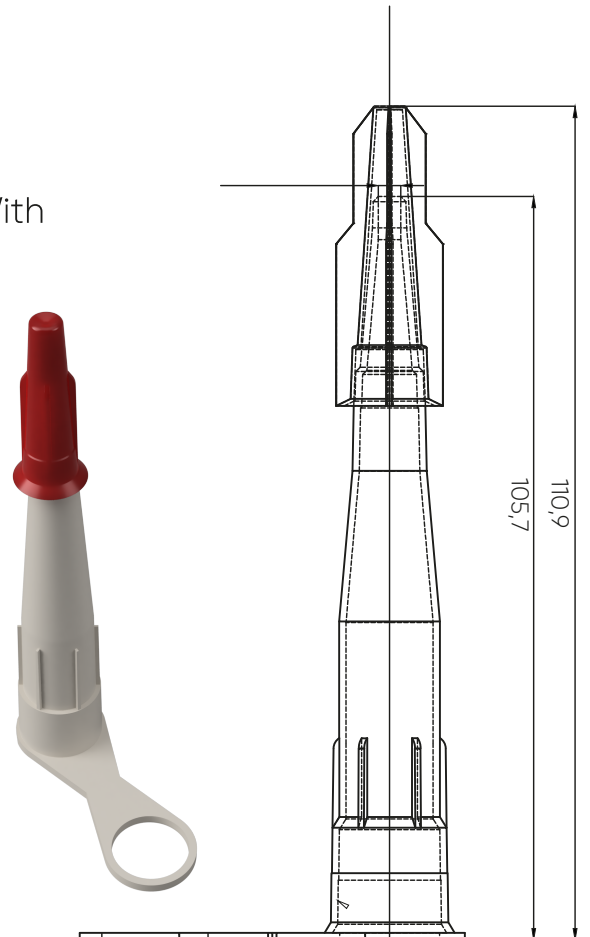
TEKNİK ÖZELLİKLER / Technical Specifications

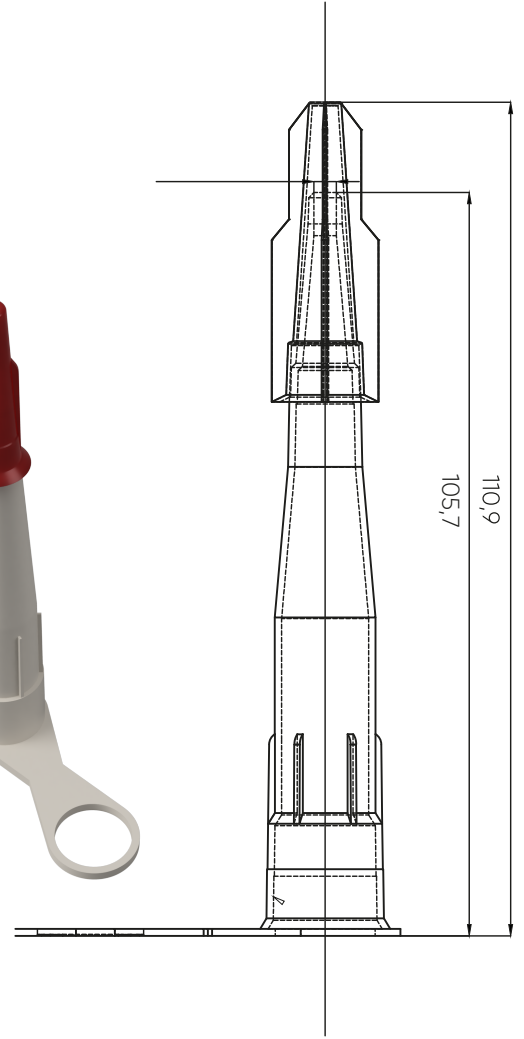
MALZEME / Material: HDPE

AĞIRLIK / Weight : 3,9gr

PAKETLEME MİKTARI : 1500 adet/koli

Packaging Unit : 1500 unit/box



KAPAKLI KULPLU UÇ / CLIP NOZZLE WITH CAP
SN 05 MTL**UYUMLU KARTUŞLAR / Can Be Combined With**Sık dişli standart metal kartuş
Tight screw standard metal cartridges**TEKNİK ÖZELLİKLER / Technical Specifications****MALZEME / Material:** HDPE**AĞIRLIK / Weight :** 3.9g**PAKETLEME MİKTARI :** 1500 adet/koli**Packaging Unit :** 1500 unit/box



CAPS

STOPER
A D V A N C E D
CARTRIDGE SYSTEMS

KAPAK / CAP
SCAP 01

UYUMLU UÇLAR / Can Be Combined With
SN 02, SN 03 MTL

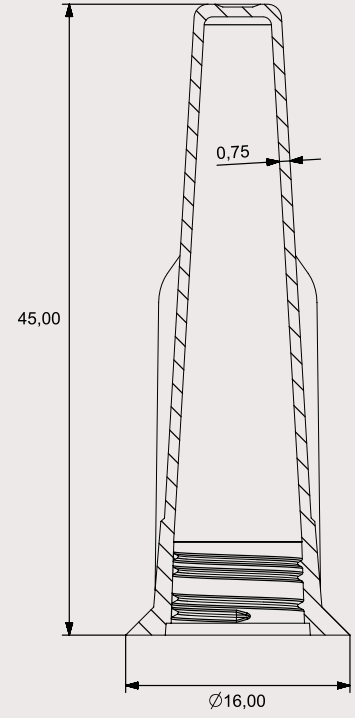
TEKNİK ÖZELLİKLER / Technical Specifications

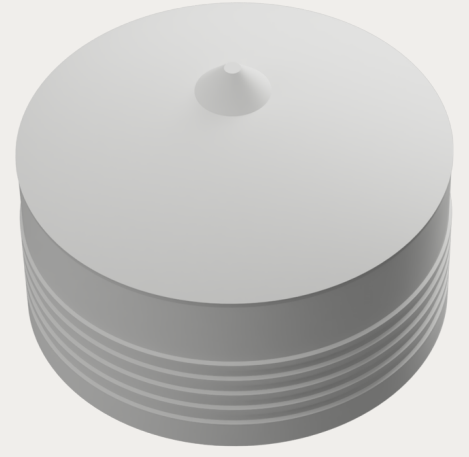
MALZEME / Material: HDPE

AĞIRLIK / Weight : 0,7gr

PAKETLEME MİKTARI : 15.000 adet/koli

Packaging Unit : 15.000 unit/box





+90 216 379 77 14



**Ramazanođlu, Ensar Cd. No:35 D:5,
34906 Pendik/İstanbul**



info@stoperint.com



www.stoperint.com